

Installation instructions introduction - CoRound System

Installing the CoRound hygienic PVC coving system is straightforward and requires no specialized tools—just a tape measure, level, and drill.

The innovative flexible sealing lips automatically adapt to insulated panels and drywall surfaces, creating a reliable, sealant-free hermetic seal.

Pre-drilled supports and concealed fixings ensure quick, precise placement with a clean, professional finish. Sanitary silicone sealant is optional: not required for installations, but recommended in high-demand environments like food processing plants, pharmaceutical facilities, or areas with extreme humidity for enhanced protection against moisture infiltration and long-term durability.

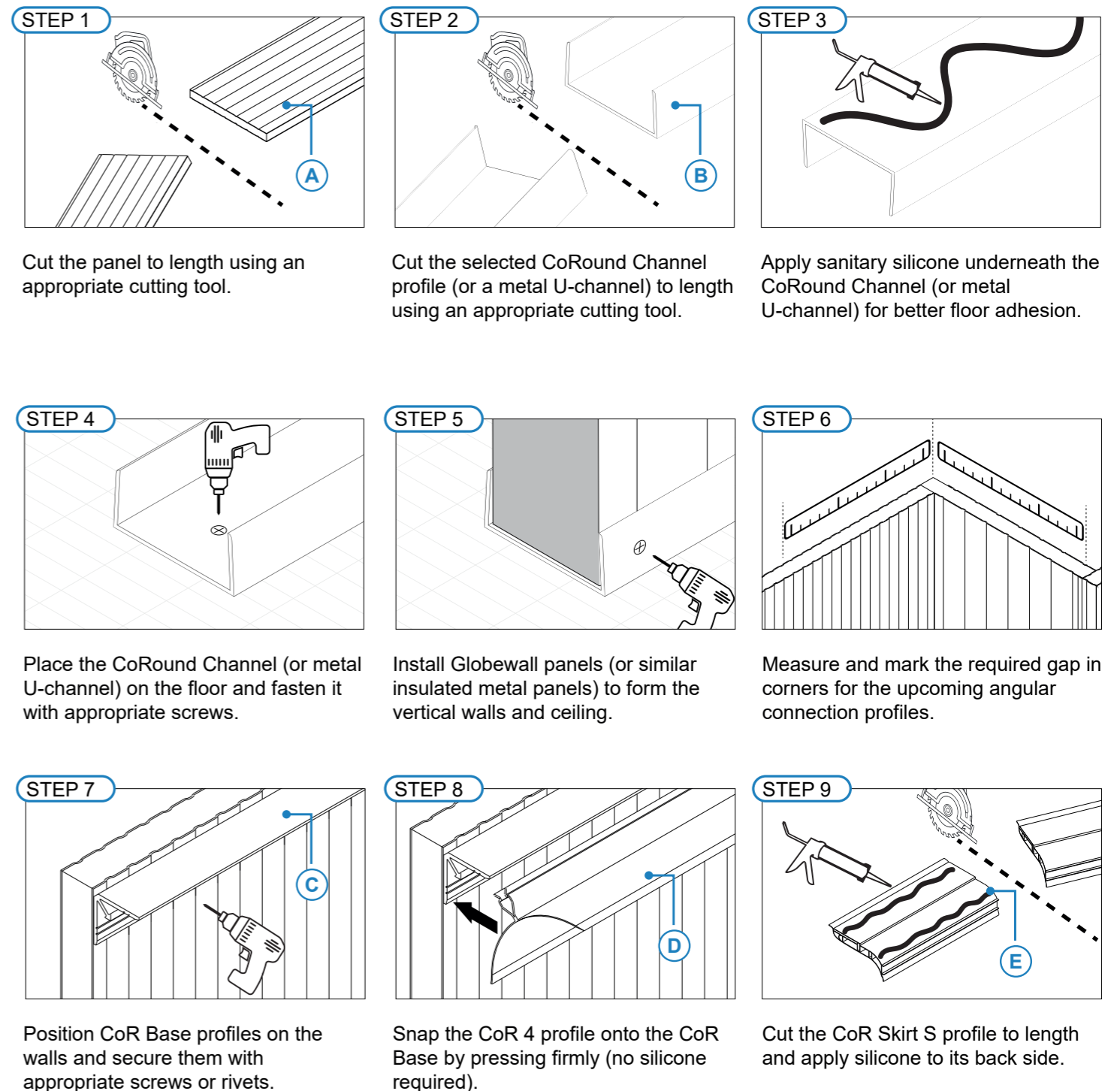
Components

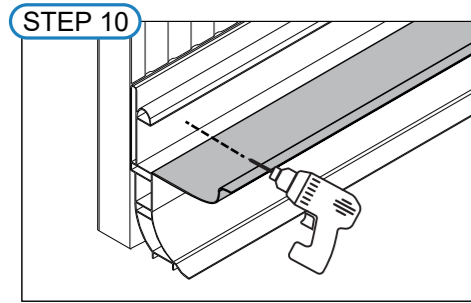


Operational installation summary – CoRound Seal + CoRound Corner Protector

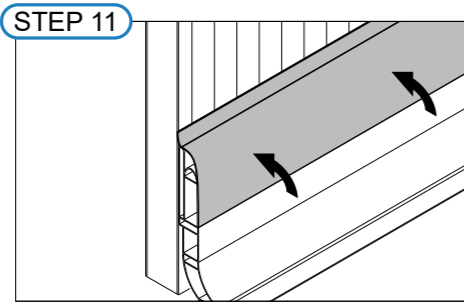
The CoRound Seal hygienic PVC system installs quickly with standard tools: tape measure, level, drill, and cutting tool. Begin by securing the floor channel (with optional silicone for adhesion), then erect insulated panels for walls and ceiling. Mount pre-drilled CoR Base supports on walls and ceiling, snap CoR 4 coving profiles into place, and finish floor-wall transitions with CoR Skirt (silicone on back, concealed fixings).

Add corners, joints, and end caps by simple press-fit—no silicone required for most accessories. Finally, attach CoR Protector 4 bases to vertical corners and snap protectors on top. The process delivers clean, durable hygienic junctions ideal for food processing, cold storage, and industrial facilities while minimizing labor and maintenance.

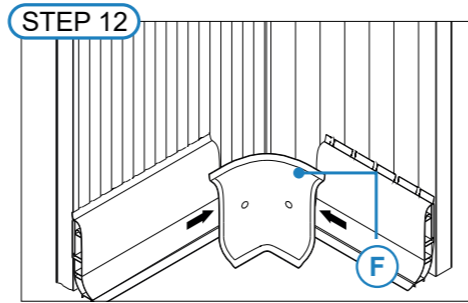




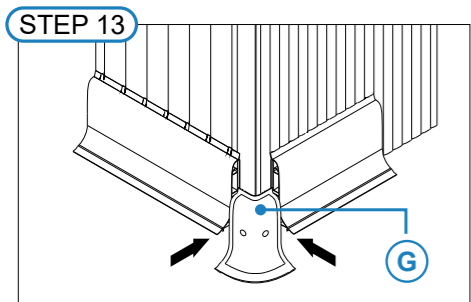
STEP 10
Fasten the CoR Skirt S to the Globewall (or similar) panel using screws or rivets inserted through the Snap-on cover strip.



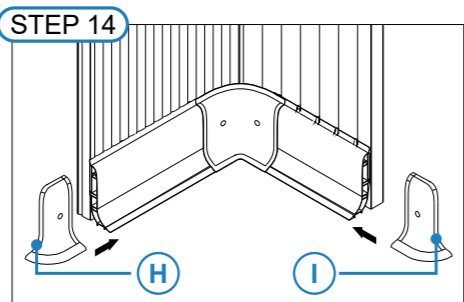
STEP 11
Snap the cover strip of the CoR Skirt S closed by pressing firmly – for fully concealed fixings and a seamless, professional hygienic finish.



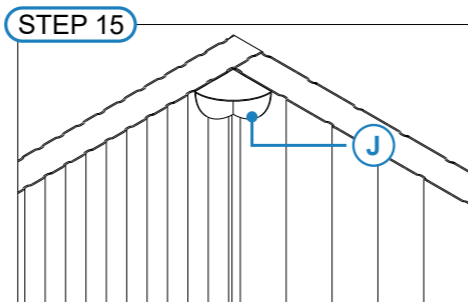
STEP 12
Snap the CoR Skirt S 3-Way Internal Corner into internal corners using its dedicated mounting base.



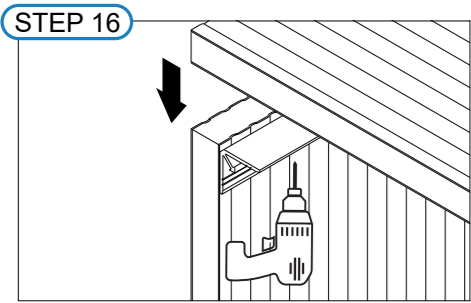
STEP 13
Snap the CoR Skirt S 2-Way External Corner into place (no silicone required).



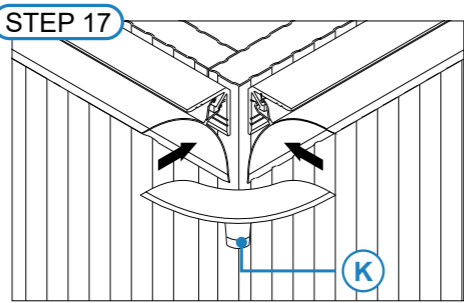
STEP 14
Snap the CoR Skirt S End Right and End Left caps into place.



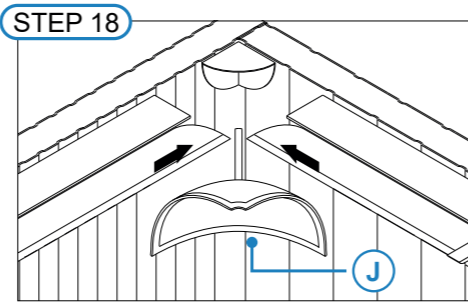
STEP 15
At the top of the wall, install only the mounting base for the CoR 4 S 3-Way Internal Corner.



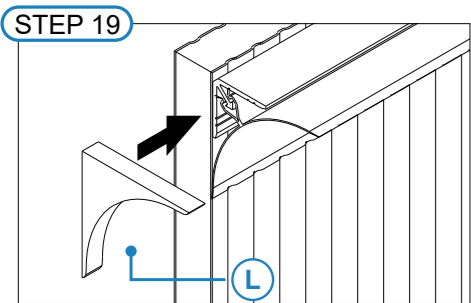
STEP 16
Fasten the CoR Base profile to the ceiling with screws or rivets.



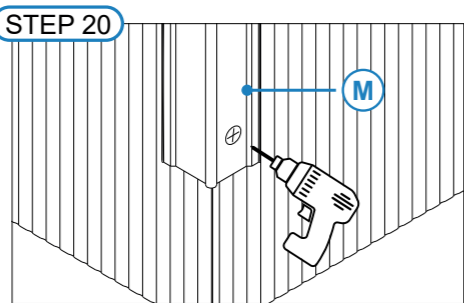
STEP 17
Snap the CoR 4 2-Way External Corner into position.



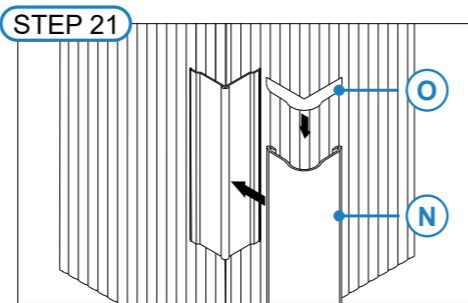
STEP 18
Snap the CoR 4 S 3-Way Internal Corner



STEP 19
Snap the CoR 4 End caps into place.



STEP 20
Fasten the CoR Protector 4 Base to vertical wall corners with appropriate screws.



STEP 21
Snap the CoR Protector 4 profile onto the base and finish with CoR Protector 4 End caps.

